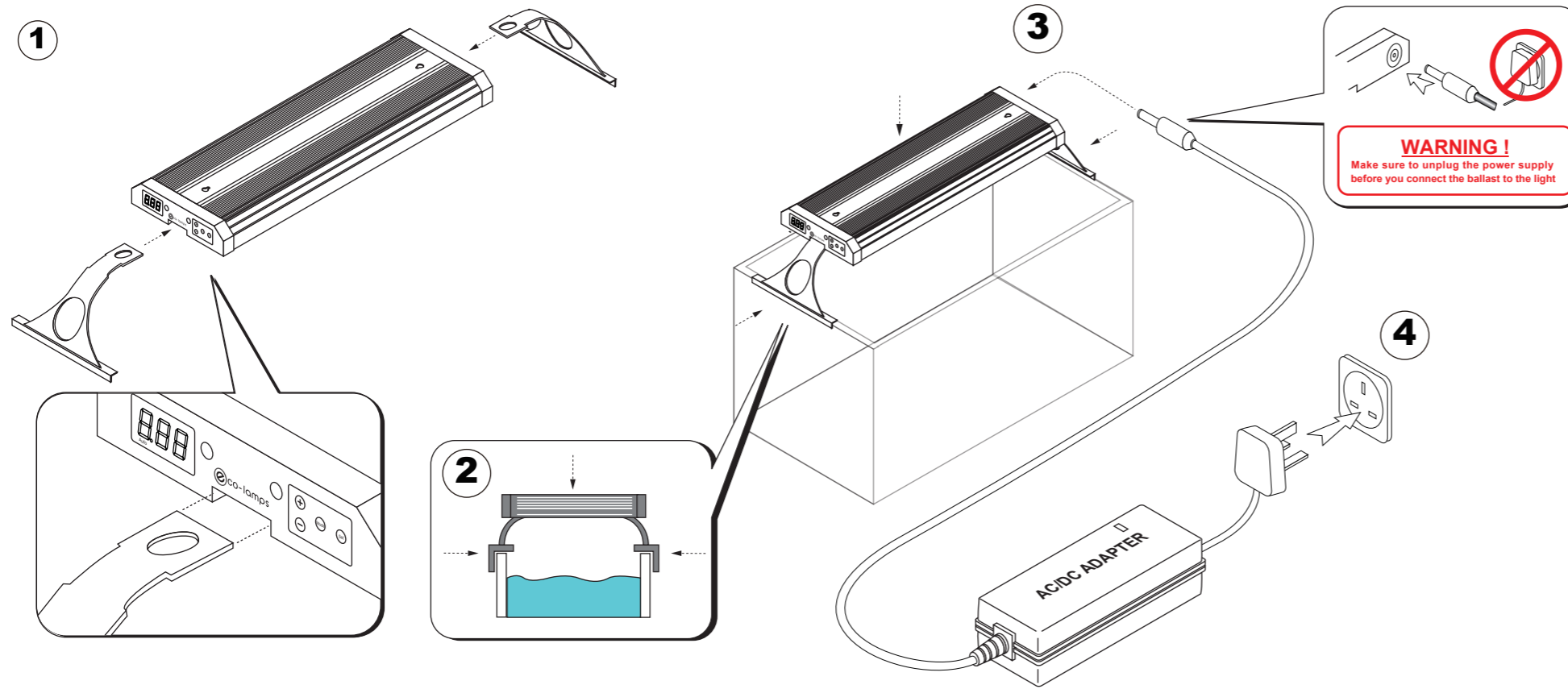


KR90

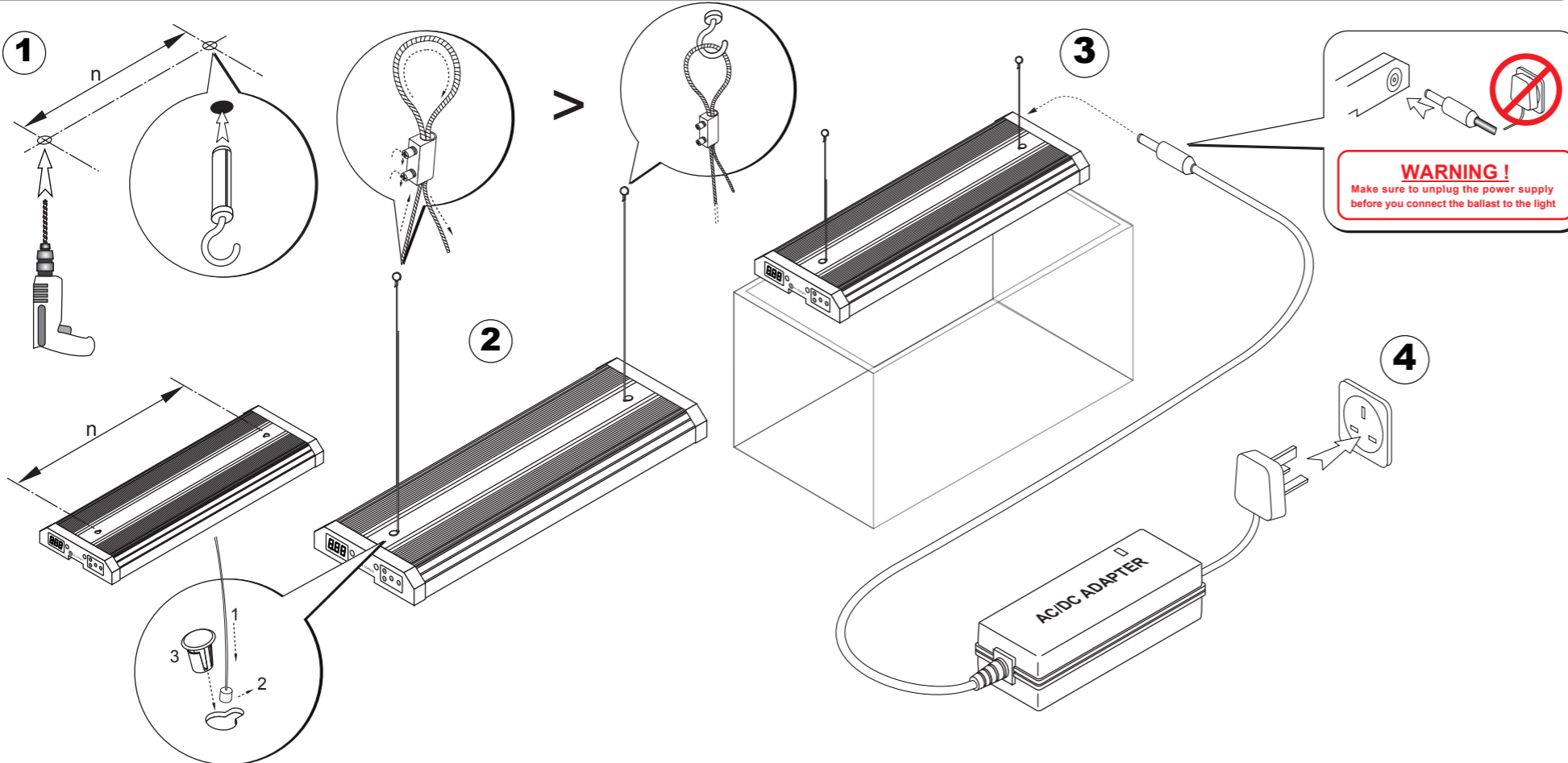
INSTALLATION METHOD (Adjustable width tank mounts)



ISO 14001:2004
EMS 554643



INSTALLATION METHOD (Ceiling mounts)



FEATURES

- Heat is radiated away from water reducing or eliminating the need for chillers
- Replace PC / VHO / T5 tube with LED system that is more energy efficient
- LED light penetration allows outstanding coral growth
- Easy installation
- 5 + years expectant LED life

SAFETY INSTRUCTIONS

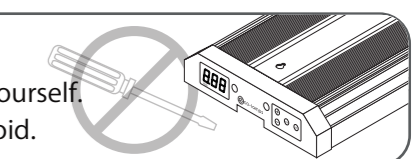
- Make sure the power cord meets all relevant local safety standards.
- Place the light near a wall outlet where the power cord can be easily unplugged.
- DO NOT let the power cord become damaged or frayed.
- DO NOT place the light near heaters.
- DO NOT extend the wire. Doing this might affect the operation of the light.
- DO NOT expose to direct sunlight or excessive heat.

WARNING

- Before cleaning the light, make sure you have unplugged the power cord from the electrical socket. Doing this will prevent electrical shock.
- DO NOT handle the plug with wet hands. Doing this might cause an electrical shock.
- DO NOT pull on the middle of the power cord. Doing this may cause electrical shock.

CAUTION

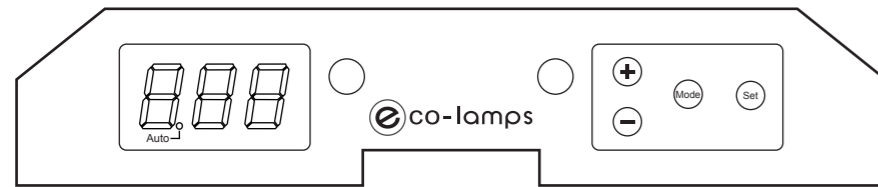
- DO NOT attempt to service the KR90 yourself. Doing this may render this warranty void.



USER'S GUIDE

Control panel overview

The KR90 control panel keys.

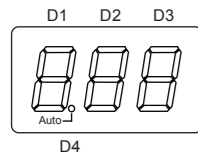


1. Four functional keys

- **+ or -**
Press to scroll through the menus and options.
- **Mode**
Use this key to change the light between Manual mode or Auto mode / exit setting.
- **Set**
Use this key to confirm or enter.

2. LED display and indications

The LED display gives you information about the light stages and time.



- **D1, D2 and D3 LED**
LED display shows time and setting information.
- **D4 LED**

Light mode	
	D4 light off: Manual mode
	D4 light on: Auto mode



Note
The default setting of the light is manual mode, time is 00:00.
Screen shows the real time in hour (eg. **800**) and minute (eg. **805**) alternate in 2s.

3. General Information

- **Manual Mode**
 - ① Press **Mode** button to enter the manual mode.
 - ② Press **+/-** button to select light mode: **800**, **801**, **802**, **803**
 - ③ Press **Set** button to enter the setting of selected light mode.

Light mode (Manual mode)	
800	Lights Off
801	White light set from 0 to 99%
802	Blue light set form 0 to 99%
803	White and Blue light set from 0 to 99% individually

- **801 (Light mode1)** setting:

- ① In light mode 1, press **+/-** button to set the brightness of **White light** from 0 to 99%, LED shows: **899**
- ② Press **Set** button to save & exit.

- **802 (Light mode2)** setting:

- ① In light mode 2, press **+/-** button to set the brightness of **Blue light** from 0 to 99%, LED shows: **899**
- ② Press **Set** button to save & exit.

- **803 (Light mode3)** setting:

- ① In light mode 3, press **+/-** button to set the brightness of **White light** from 0 to 99%, LED shows: **899**
- ② Press **Set** to enter the setting of **Blue light**.
- ③ Press **+/-** button to set the brightness of **Blue light** from 0 to 99%, LED shows: **899**
- ④ Press **Set** button to save & exit.

■ Auto Mode

- ① Press **Set** button to enter the setting of **real time**.
Press **+/-** button to set the hour of real time, LED shows: **800**
- ② Press **Set** button to enter the setting of the minute of real time.
Press **+/-** button to set the minute of real time, LED shows: **800**
- ③ Press **Set** button to enter the setting of "**t.H0**" (Starting hour of light mode 0), LED shows: **8H0**
Press **+/-** button to set the starting hour of light mode 0, LED shows: **800**
- ④ Press **Set** button to enter the setting of "**t.n0**" (Starting minute of light mode 0), LED shows: **800**
Press **+/-** button to set the starting minute of light mode 0, LED shows: **800**
- ⑤ Press **Set** button to enter the setting of **White light**, LED shows: **800**
Press **+/-** button to set the brightness from 0 to 99%, LED shows: **800**

- ⑥ Press **Set** button to enter the setting of **Blue light**, LED shows: **800**
Press **+/-** button to set the brightness from 0 to 99%, LED shows: **800**
- ⑦ Press **Set** button to enter the setting of "**t.H1**" (Starting hour of light mode 1), LED shows: **8H1**
... Light mode 1, 2, 3, 4 and 5 are the same setting method as light mode 0 as above.
- ⑧ After setting the light mode 5, press **Set** button to enter the setting of "**t.HE**" (Light ending time in hour), LED shows: **8HE**
Press **+/-** button to set the light ending time in hour, LED shows: **800**
- ⑨ Press **Set** button to enter the setting of "**t.Hn**" (Light ending time in minute), LED shows: **8Hn**
Press **+/-** button to set the light ending time in minute, LED shows: **800**
- ⑩ Press **Set** button to save & exit the light setting.



Note

Auto Mode

The lights will ramp up in every 2seconds until the brightness reach the pre-set level in Auto mode.

Error set up

"Light mode1" start at 07:00, "Light mode2" start at 06:00, "Light mode3" start at 09:00
In this case "Light mode2" will passed, you may need to set a right time for "Light mode2".
During the light setting, press **Mode** button to exit.

ACCESSORIES

